

Figure 6.9. PCB 15, Sheet 1 of 9, Input Switching, DC Volts Atten. & Current Circuit Diagram 70617505, Issue B.

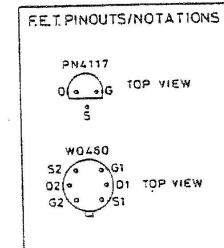
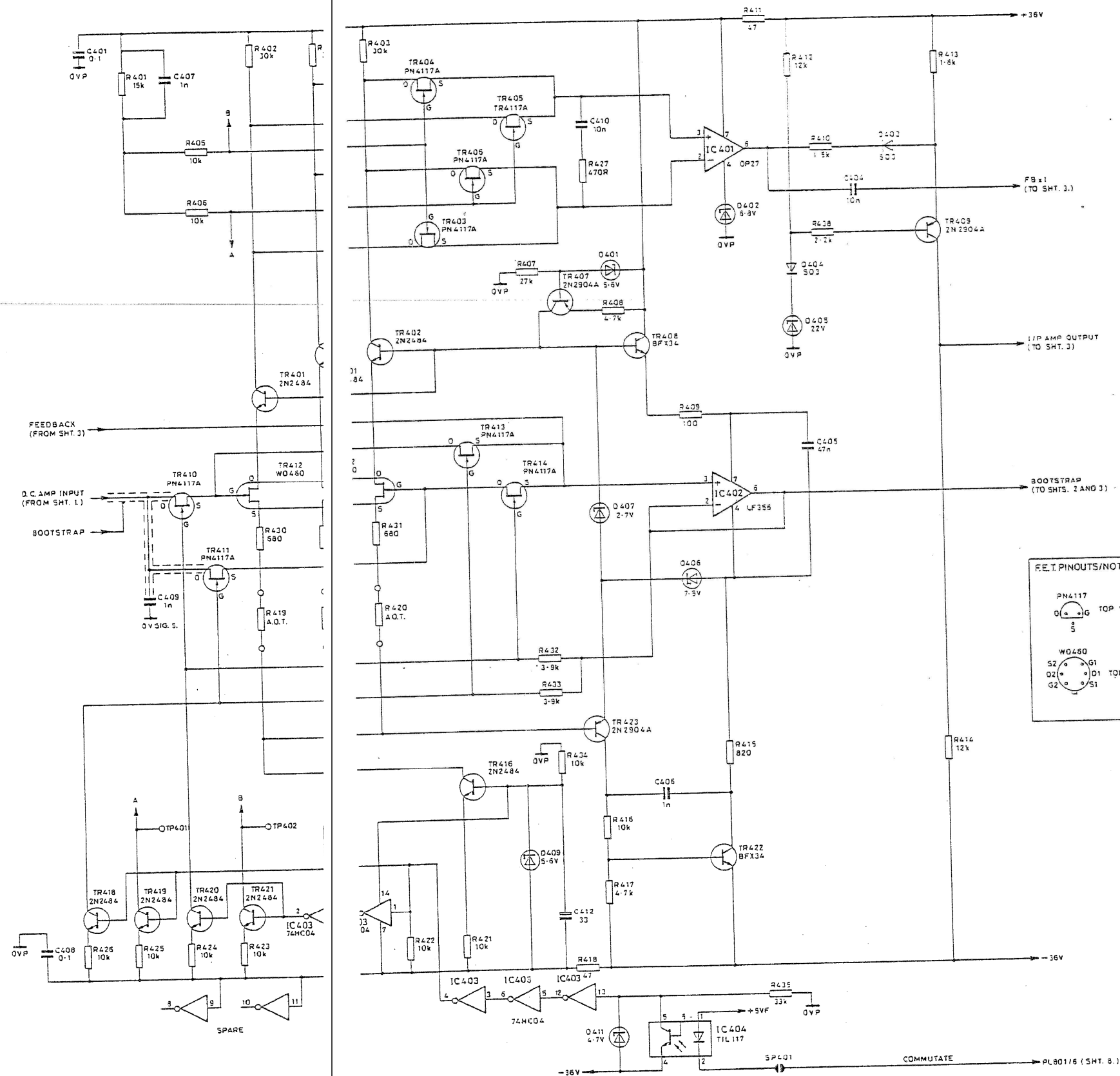


Figure 6.9. PCB 15, Sheet 2 of 9, DC Input Amplifier. Circuit Diagram 70617505, Issue A.

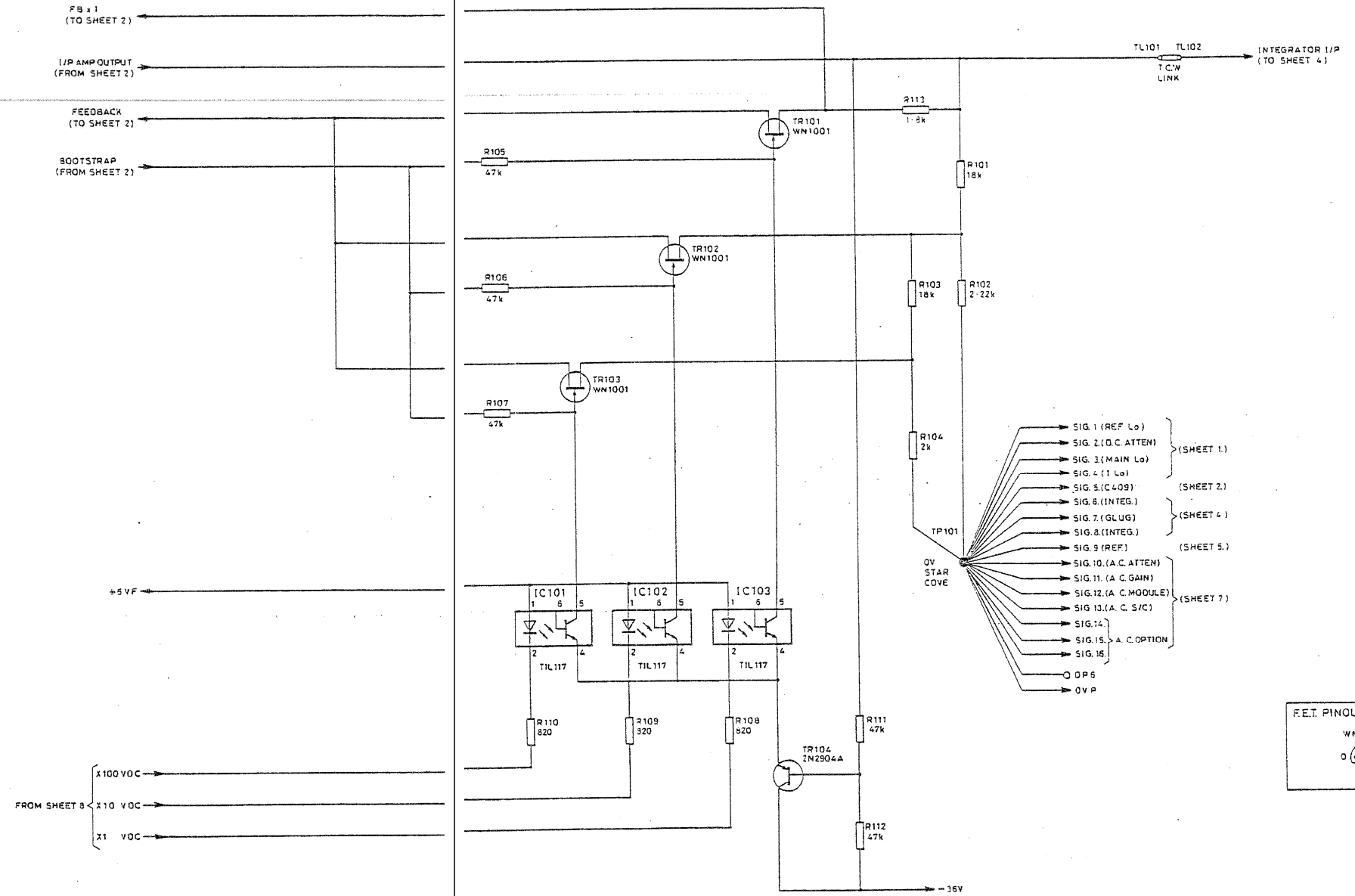


Figure 6.9. PCB 15, Sheet 3 of 9, DC Ranging.
Circuit Diagram 70617505, Issue A.

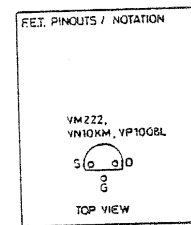
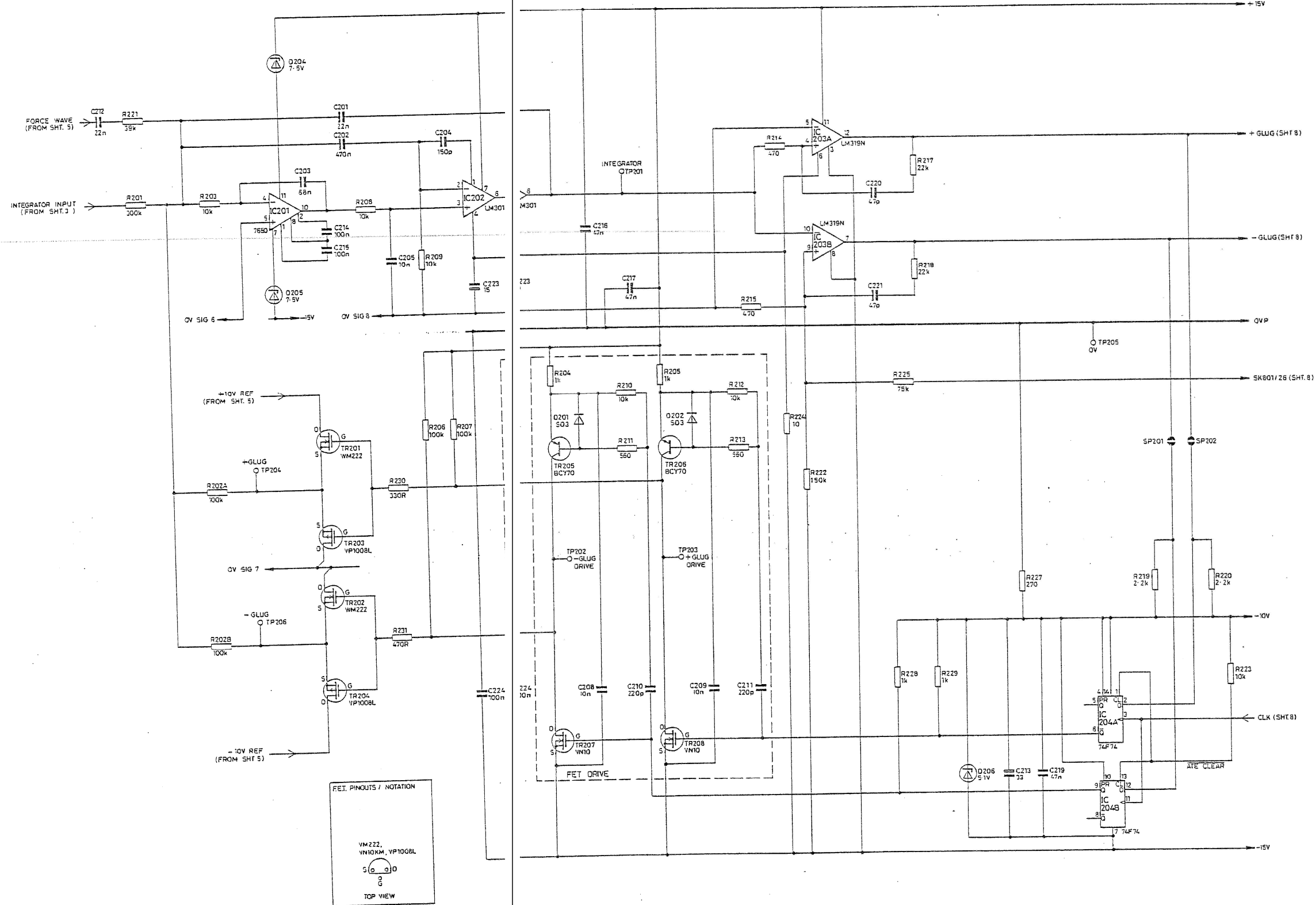


Figure 6.9. PCB 15, Sheet 4 of 9, Integrator. Circuit Diagram 70617505, Issue A

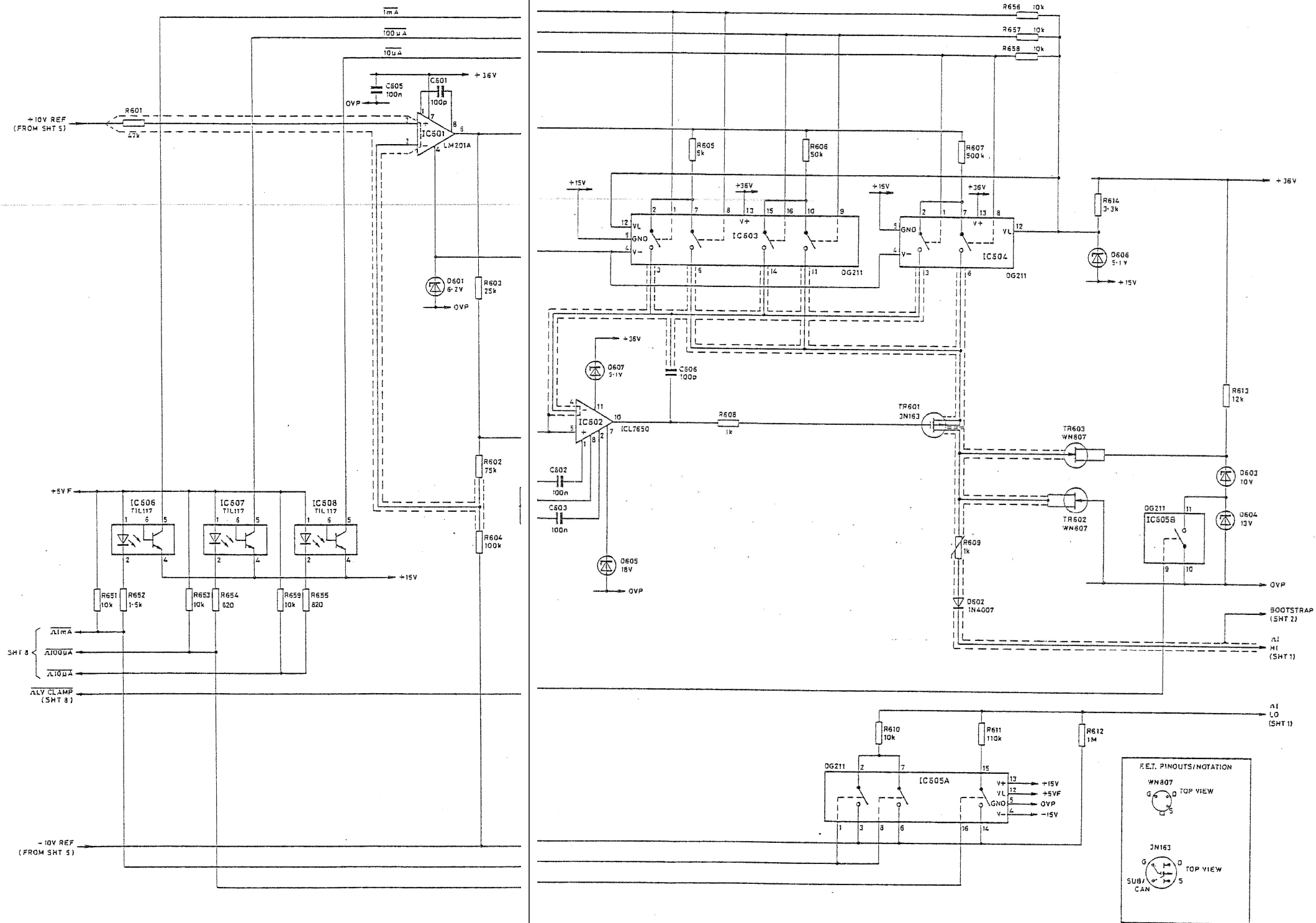


Figure 6.9. PCB 15, Sheet 6 of 9, Ohms Current Source. Circuit Diagram 70617505, Issue A.

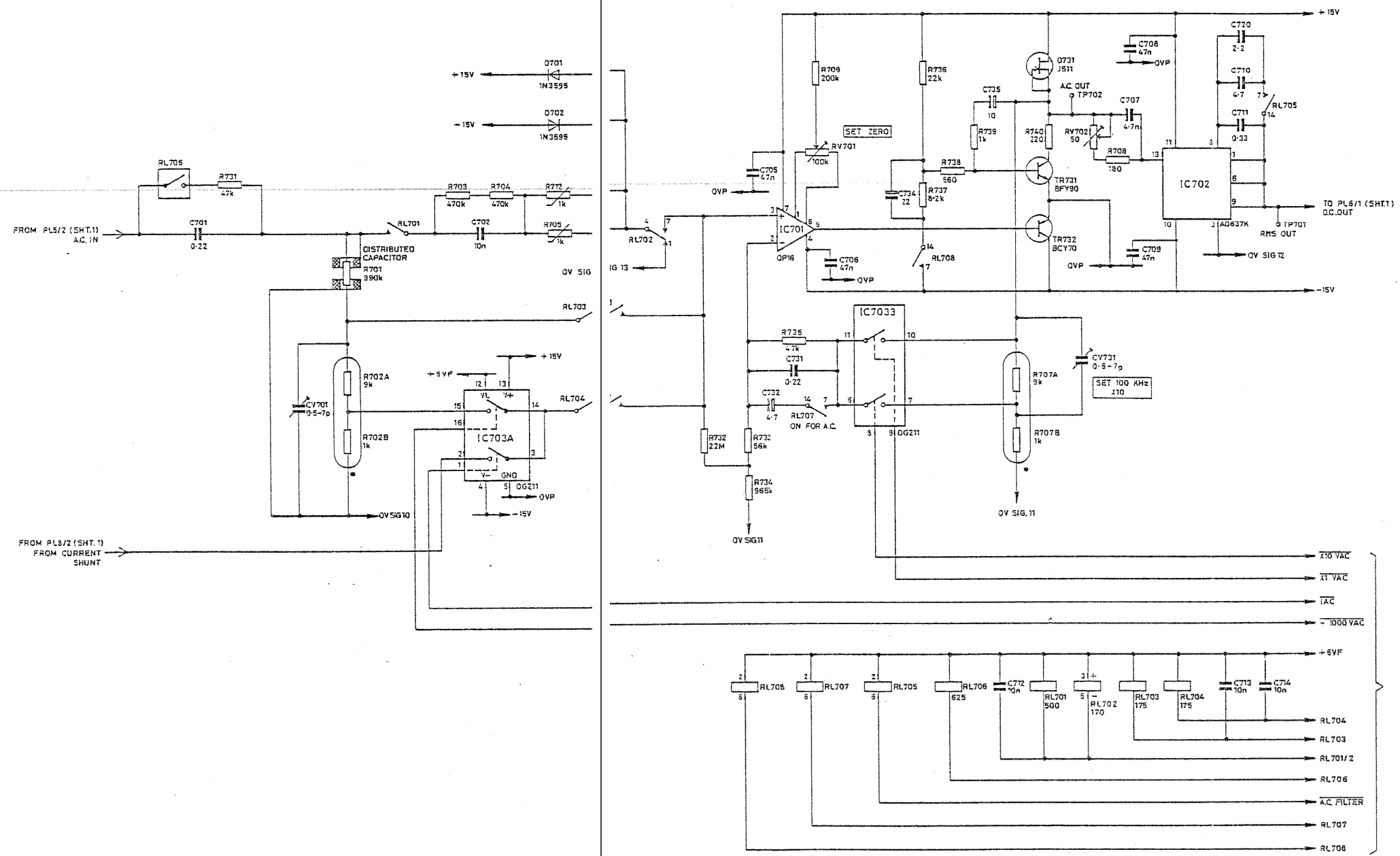


Figure 6.9. PCB 15, Sheet 7 of 9, AC/AC + DC True rms (Modular).
Circuit Diagram 70617505, Issue C.

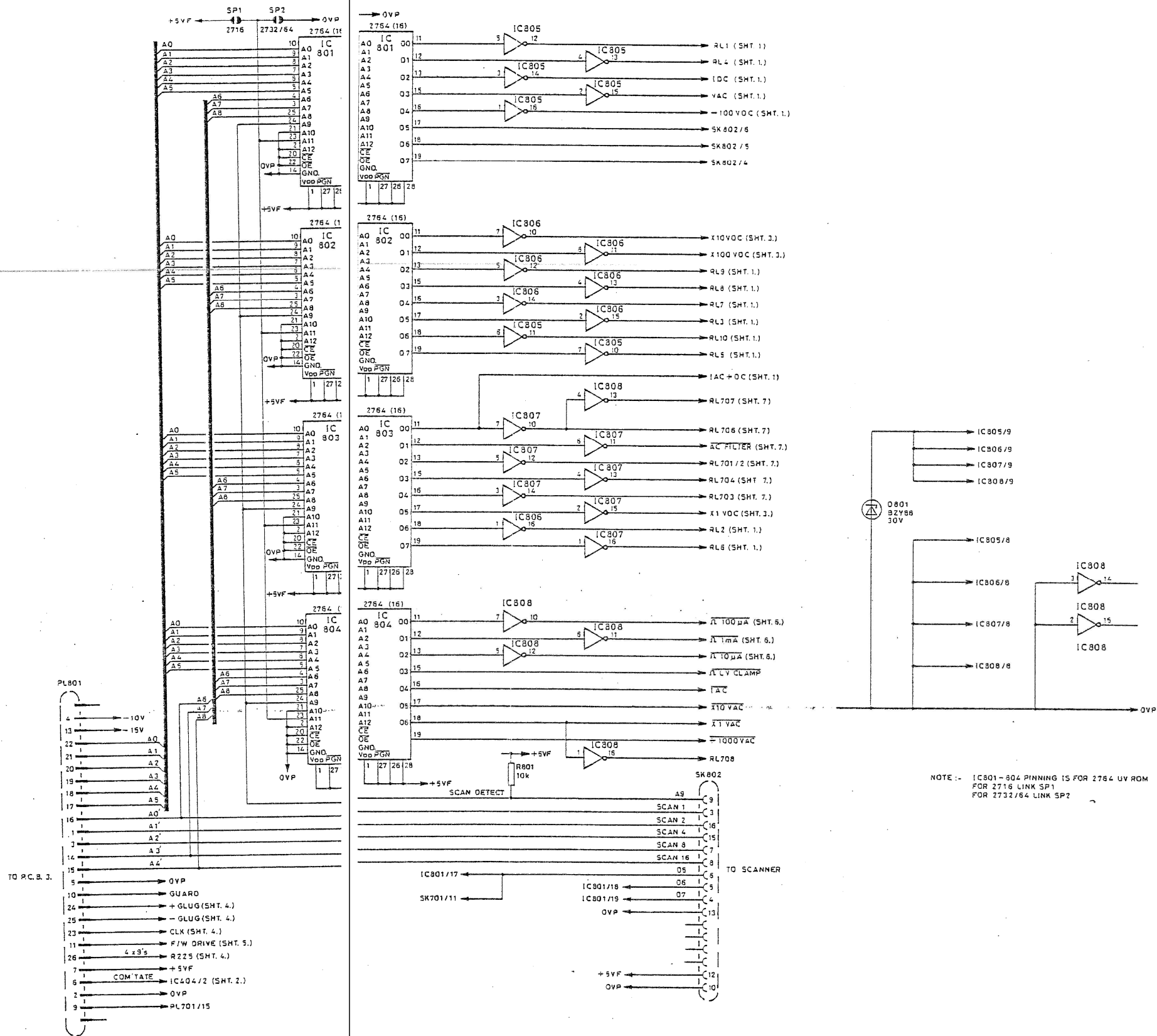


Figure 6.9. PCB 15, Sheet 8 of 9, Floating Logic. Circuit Diagram 70617505, Issue B.

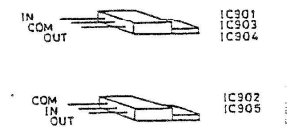
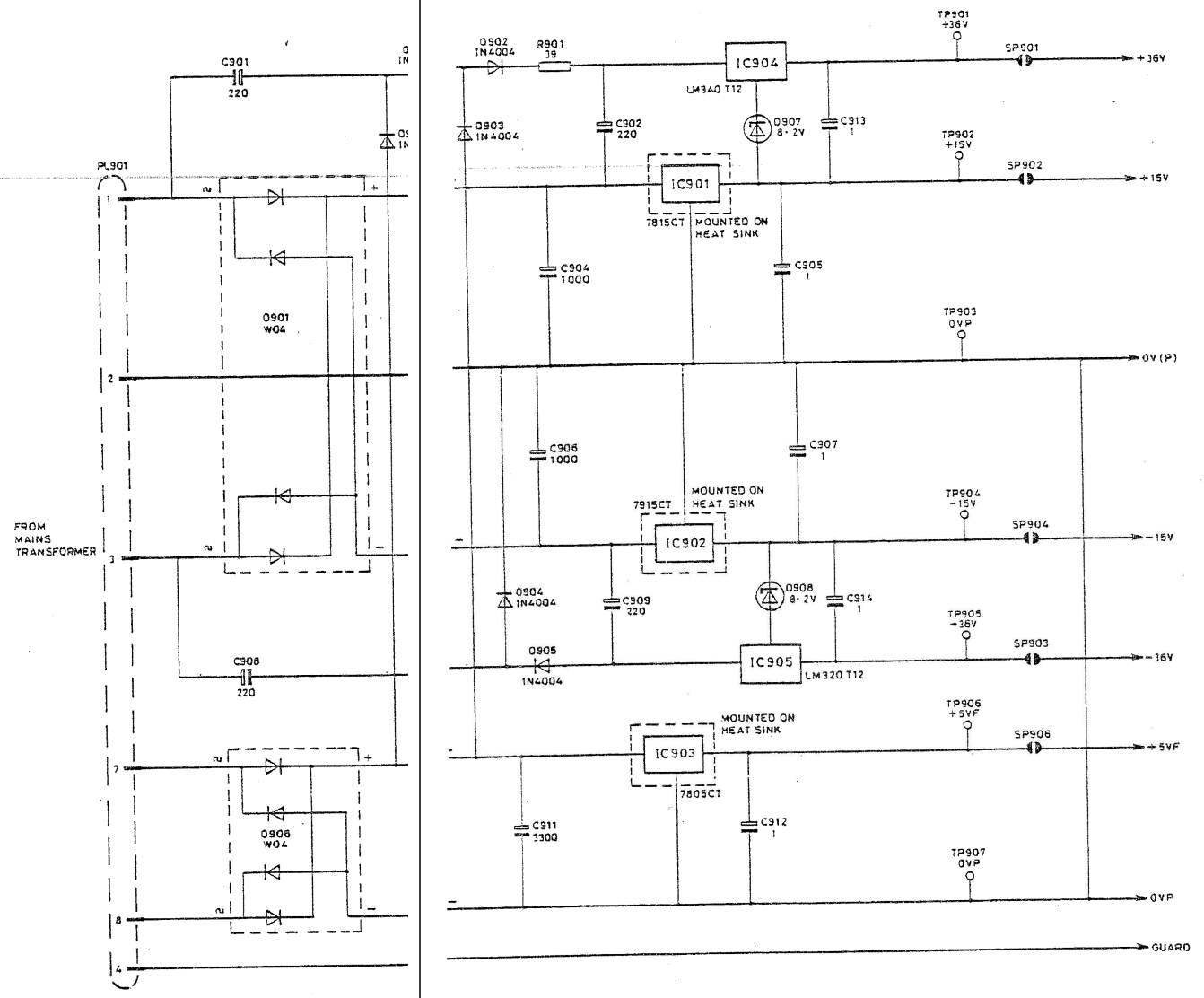
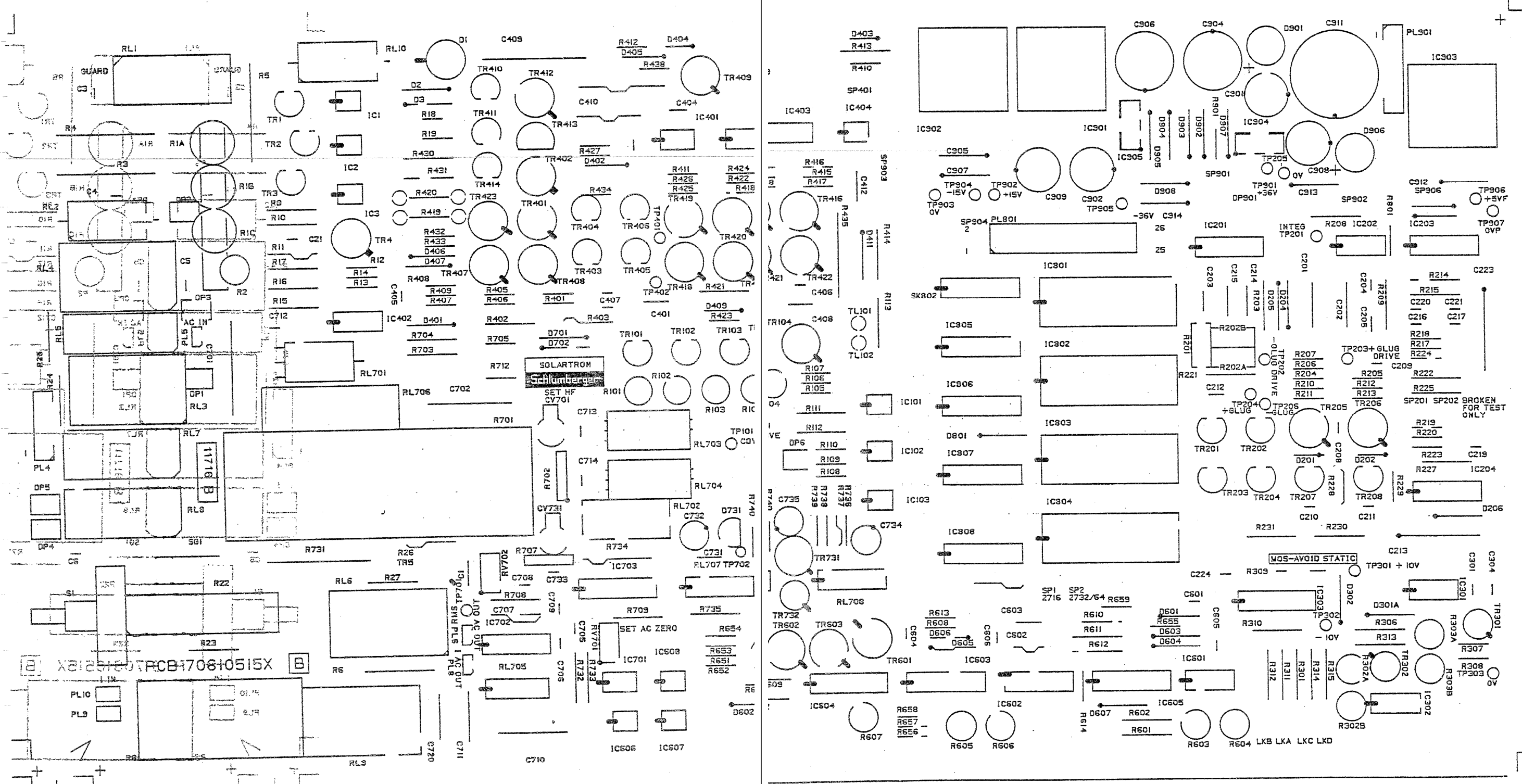


Figure 6.9. PCB 15, Sheet 9 of 9, Floating Power Supply. Circuit Diagram 70617505, Issue A.



WARNING - THIS BOARD MUST BE SILK SCREENED WITH YELLOW PAINT

70619515-B
NOTATION
SHT 4 OF 6

5-2120120Y
NOTATION
2 30 + THE

Figure 6.10. PCB 15, Component Layout.
70610515, Issue B